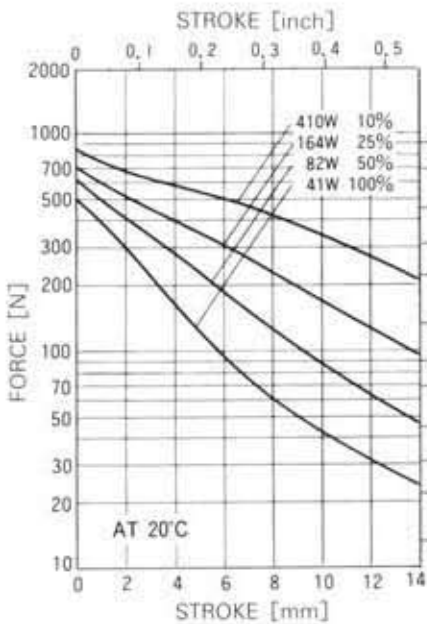
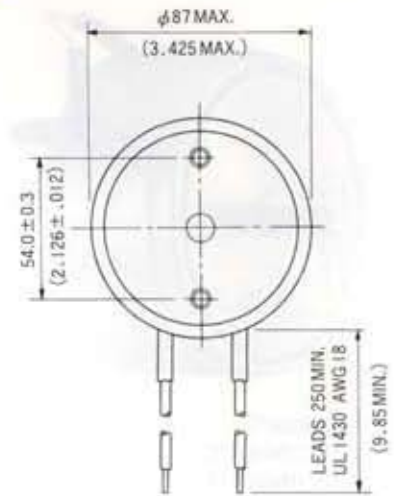
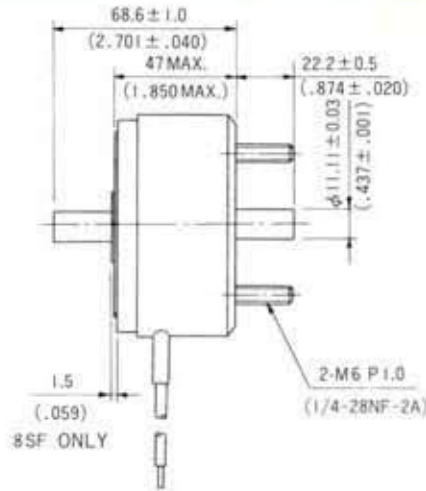


# SIZE870C, 870F PUSH PULL SOLENOID

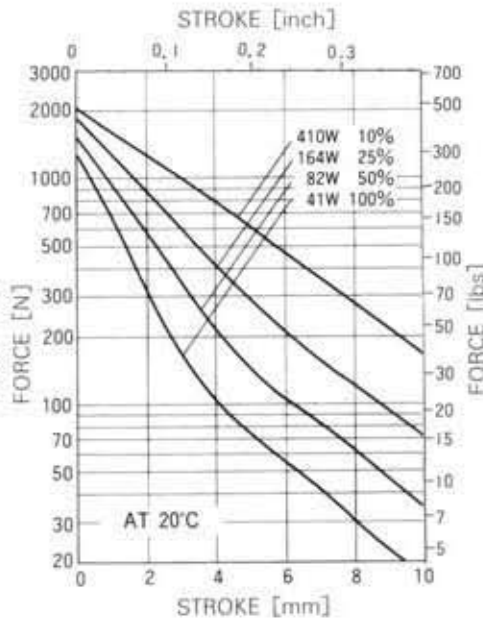
UNIT :  $\frac{\text{mm}}{\text{inch}}$   
SHOWN ENERGIZED



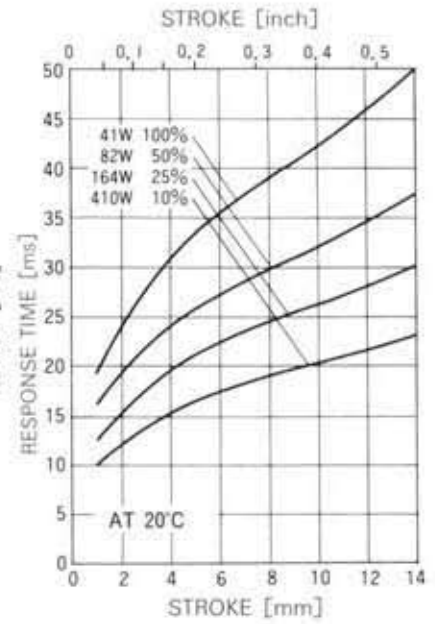
WEIGHT : 1,885g  
PLUNGER (C) : 495g  
PLUNGER (F) : 480g



STROKE - FORCE (870C)



STROKE - FORCE (870F)



STROKE - RESPONSE TIME

## COIL DATA

Heat sink : 520×520×3mm aluminum

duty cycle = $\frac{\text{"on" time}}{\text{"on" time} + \text{"off" time}} \times 100\%$			100% continuous	50% or less	25% or less	10% or less
MAX. "on" time in seconds			∞	72	43	20
watts at 20°C			41	82	164	410
ampere-turns at 20°C			1910	2750	3810	5950
AWG no.	resistance $\Omega \pm 10\%$ (at 20°C)	no. turns	volts DC			
18	1.47	368	7.6	11	15	24
19	2.3	459	9.6	14	19	30
20	3.64	580	12	17	24	37
21	5.57	704	15	22	30	47
22	9.5	936	19	28	39	60
23	14.3	1134	24	35	48	75
24	23.3	1456	30	44	61	95
25	37.1	1836	39	56	77	120
26	58.6	2300	49	70	97	152
27	89.8	2816	61	88	121	189
28	139	3456	76	111	153	239
29	227	4480	98	138	193	300
30	376	5792	124	177	248	387
31	515	6600	148	212	297	-
32	785	7850	188	275	385	-
33	1130	9050	237	339	-	-