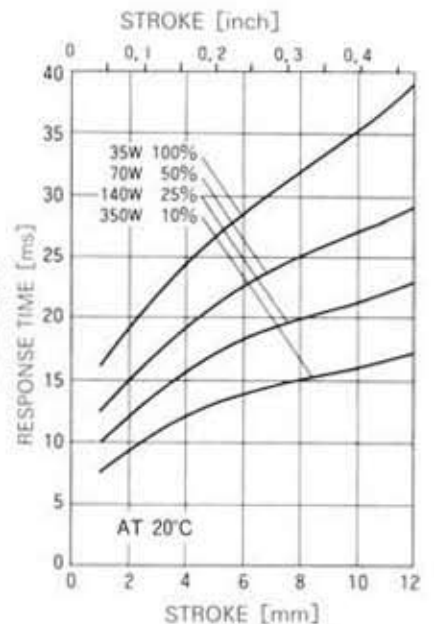
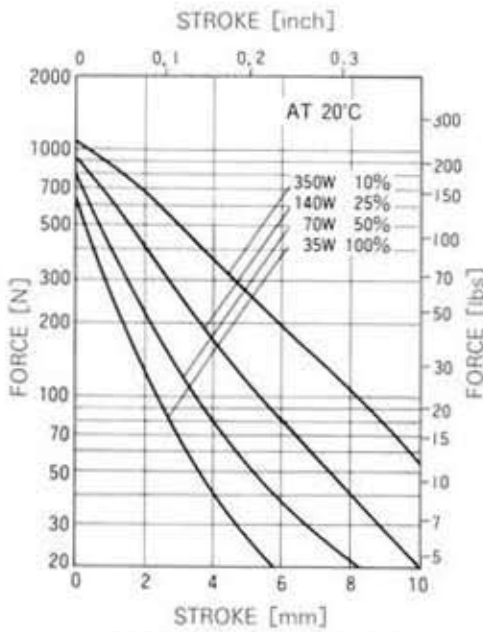
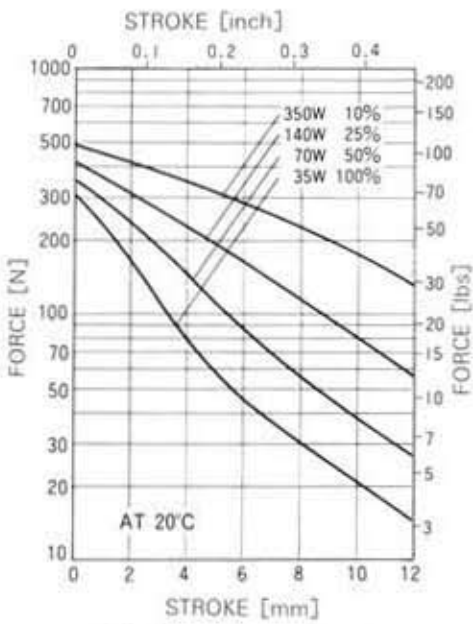
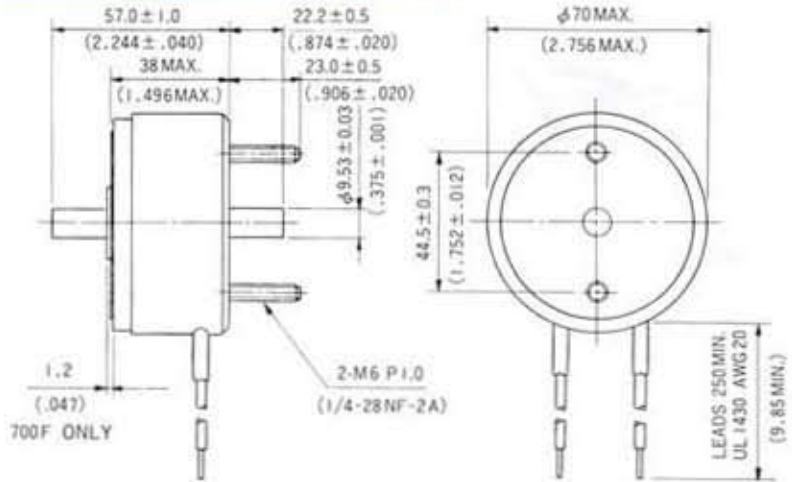


SIZE700C, 700F PUSH PULL SOLENOID

UNIT : $\frac{\text{mm}}{\text{inch}}$
SHOWN ENERGIZED



WEIGHT : 1,013g
PLUNGER (C) : 268g
PLUNGER (F) : 285g



COIL DATA

Heat sink : 390×390×3mm aluminum

| duty cycle = $\frac{\text{"on" time}}{\text{"on" time} + \text{"off" time}} \times 100\%$ | | | 100% continuous | 50% or less | 25% or less | 10% or less |
|---|---|-----------|--------------------|----------------|----------------|----------------|
| MAX. "on" time in seconds | | | ∞ | 80 | 38 | 16 |
| watts at 20°C | | | 35 | 70 | 140 | 350 |
| ampere-turns at 20°C | | | 1570 | 2230 | 3150 | 5000 |
| AWG no. | resistance $\Omega \pm 10\%$ (at 20°C) | no. turns | volts DC | | | |
| 20 | 1.88 | 368 | 8 | 11 | 16 | 26 |
| 21 | 3.01 | 468 | 10 | 14 | 20 | 32 |
| 22 | 4.82 | 580 | 13 | 18 | 26 | 41 |
| 23 | 8.1 | 780 | 16 | 23 | 33 | 52 |
| 24 | 12.3 | 949 | 20 | 29 | 41 | 65 |
| 25 | 19 | 1148 | 26 | 37 | 52 | 83 |
| 26 | 30.8 | 1472 | 33 | 46 | 66 | 105 |
| 27 | 48.8 | 1854 | 41 | 59 | 83 | 132 |
| 28 | 81.1 | 2436 | 52 | 75 | 105 | 166 |
| 29 | 121 | 2944 | 64 | 92 | 130 | 206 |
| 30 | 190 | 3650 | 82 | 118 | 166 | 264 |
| 31 | 275 | 4175 | 104 | 147 | 209 | 331 |
| 32 | 440 | 5792 | 119 | 170 | 240 | - |
| 33 | 735 | 7000 | 165 | 235 | 331 | - |
| 34 | 995 | 7600 | 204 | 288 | - | - |