

# 3-Phase Regulator Rectifier Lineup

SHINDENGEN  
ELECTRIC MFG. CO., LTD



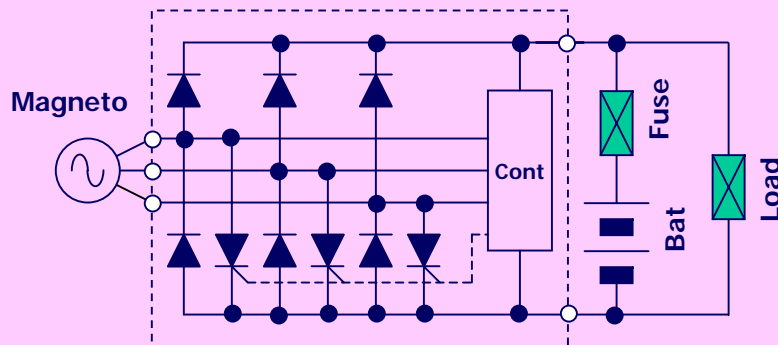
## SH753 Standard Model

### Outline



110 x 85 x 40mm

### Connecting Diagram



### Electrical Characteristic

Item	Min	Typ	Max	Unit
Set-point	14.0	14.5	15.0	Vave
Temperature Coefficient	-3	0	+3	mV/
Output Current	-	-	35	Aave
Continuous Output Current	Refer to Ta-Io De-rating Curve			Aave

### Ta-Io De-rating Curve

