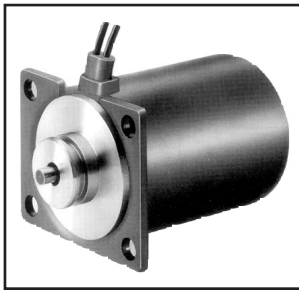


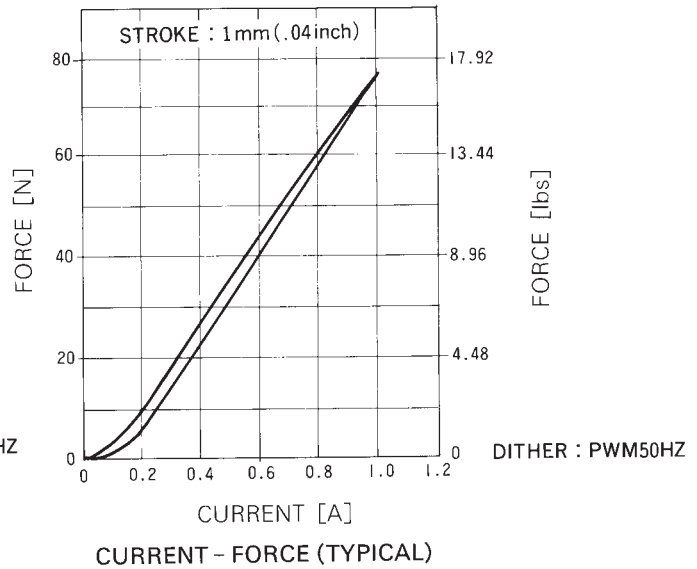
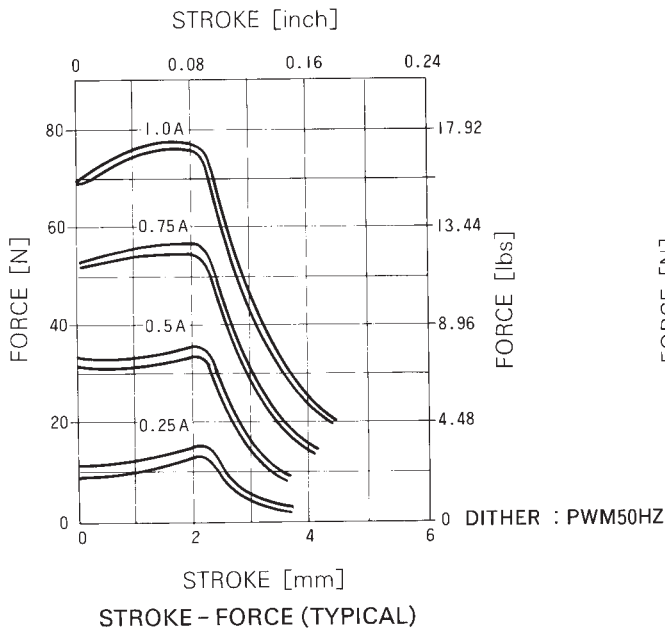
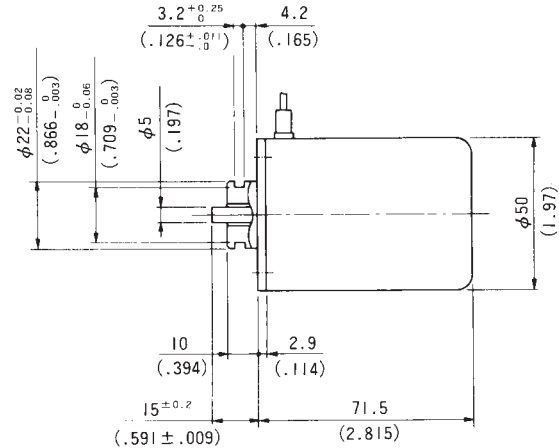
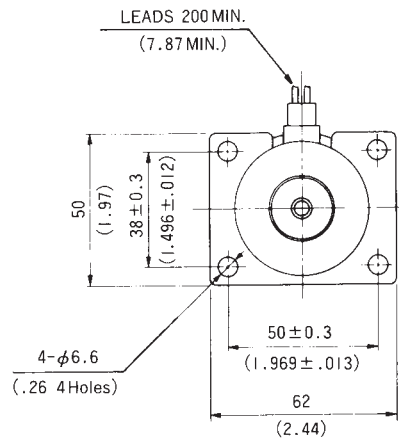
PS50CX-0207 PROPORTIONAL SOLENOID

UNIT: $\frac{\text{mm}}{\text{(inch)}}$

SHOWN ENERGIZED



WEIGHT : 810g



SPECIFICATIONS

| ITEM | UNIT | TYPE NO. PS50CX-0207-24 |
|-----------------------|-----------|-----------------------------------|
| Volts DC | V | 24 |
| Current | A | MAX. 1.0 |
| Resistance | Ω | 12.8 at 20°C |
| Watts | W | 12.8 at 20°C |
| Force | N//lbs | 72.6//16.28 at 1mm (.04in) , 1.0A |
| Control Stroke | mm (inch) | MAX.2.0 (.078) |
| Full Stroke | mm (inch) | MIN. 4.0 (.157) |
| Insulation Class | | F (155°C) |
| Rated Pressure | MPa//PSI | 1.03//150 |
| Burst Pressure | MPa//PSI | 3.09//450 |
| Dielectric Strength | | AC 1000V, 1 minute |
| Insulation Resistance | | More than 100MΩ at DC 500V |

1 - 800 - 543 - 6525