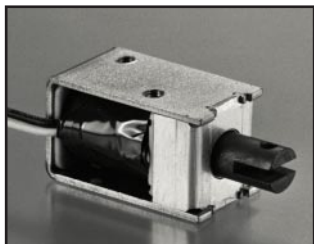


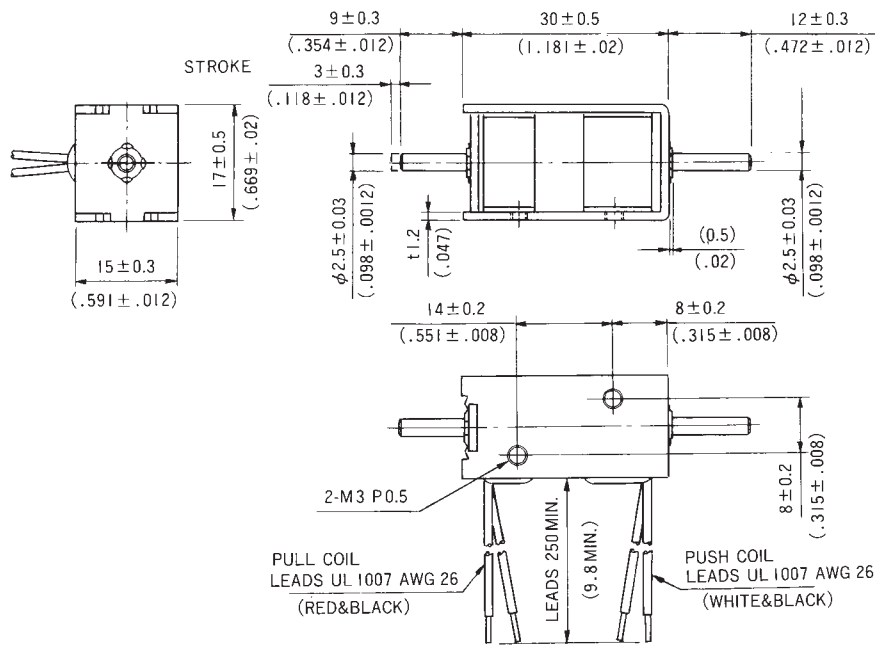
SH2LC0730 PERMANENT MAGNET SOLENOID

UNIT: $\frac{\text{mm}}{\text{inch}}$

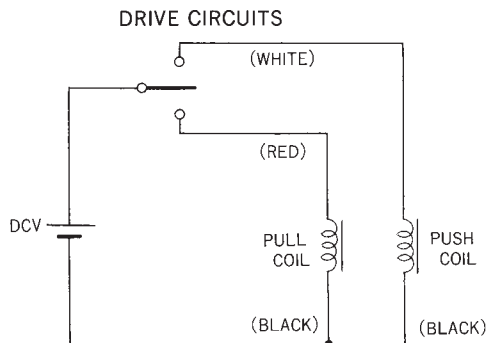
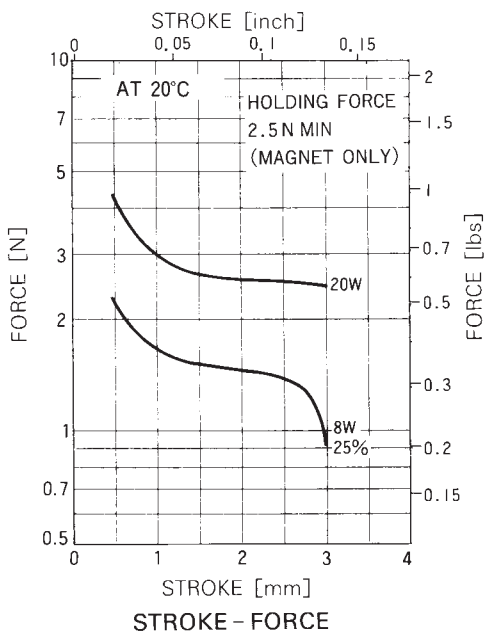
SHOWN ENERGIZED



WEIGHT : 35g
PLUNGER : 7g



SHOWN ENERGIZED POSITION WHEN A VOLTAGE IS APPLIED TO PUSH COIL.
STROKE : 3mm ± 0.3



COIL DATA

without heat sink

| | | | |
|--------------|---|-----------|-------------|
| | duty cycle = $\frac{\text{"on" time}}{\text{"on" time} + \text{"off" time}} \times 100\%$ | | 25% or less |
| | maximum "on" time in seconds | | 2 |
| | watts at 20 C | | 8 |
| | ampere-turns at 20 C | | 368 |
| type no. | resistance $\Omega \pm 10\%$ (at 20 C) | no. turns | volts DC |
| SH2LC0730-06 | 4.5 | 285 | 6 |
| SH2LC0730-12 | 18 | 540 | 12 |
| SH2LC0730-24 | 72 | 1,100 | 24 |

1 - 800 - 543 - 6525