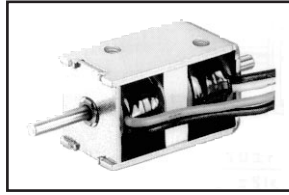


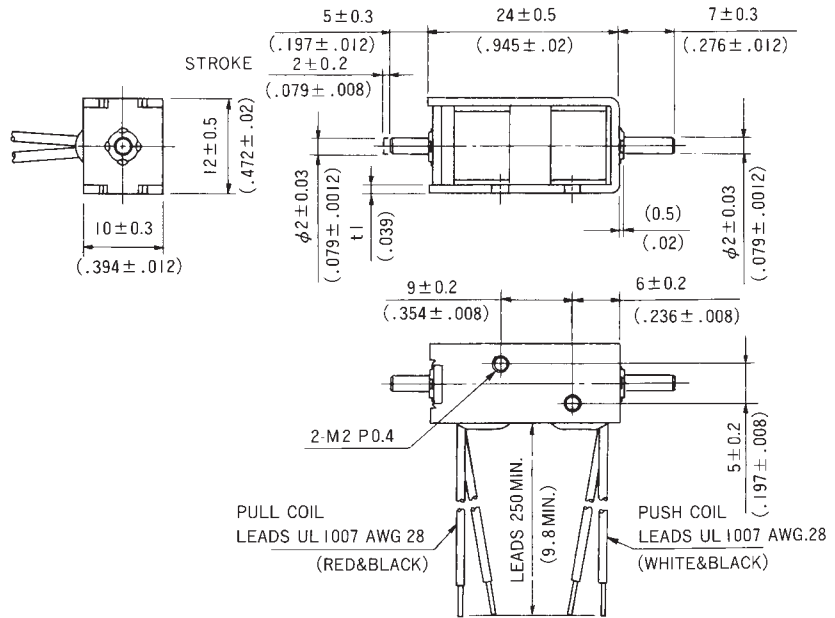
SH2LC0524, PERMANENT MAGNET SOLENOID

UNIT: $\frac{\text{mm}}{\text{inch}}$

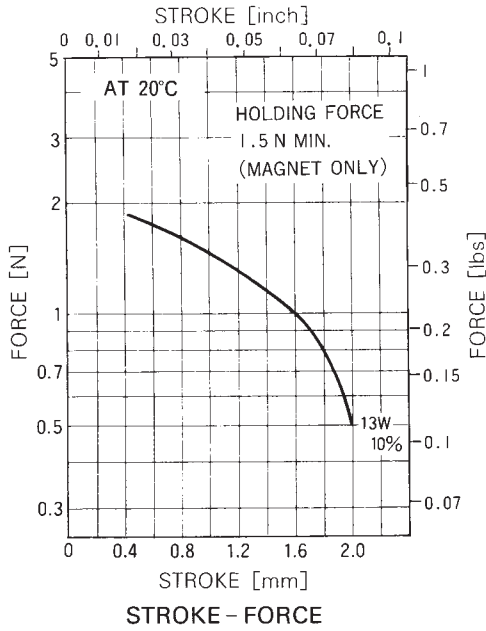
SHOWN ENERGIZED



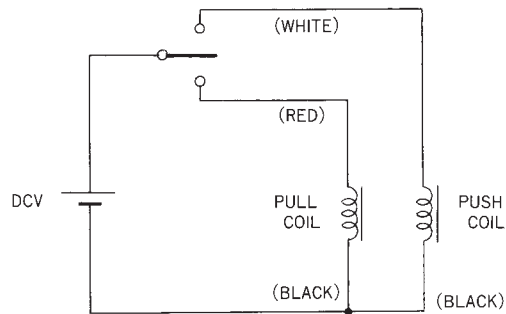
WEIGHT : 15g
PLUNGER : 3g



SHOWN ENERGIZED POSITION WHEN A VOLTAGE IS APPLIED TO PUSH COIL.
STROKE : 2mm ± 0.2



DRIVE CIRCUITS



COIL DATA

type no.	without heat sink		
	duty cycle = $\frac{\text{"on" time}}{\text{"on" time} + \text{"off" time}} \times 100\%$	10% or less	
	maximum "on" time in seconds	1	
	watts at 20°C	13	
	ampere-turns at 20°C	364	
type no.	resistance $\Omega \pm 10\%$ (at 20°C)	no. turns	volts DC
SH2LC0524-06	2.8	166	6
SH2LC0524-12	11.1	345	12
SH2LC0524-24	44.3	670	24

1 - 800 - 543 - 6525