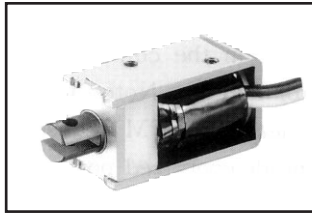
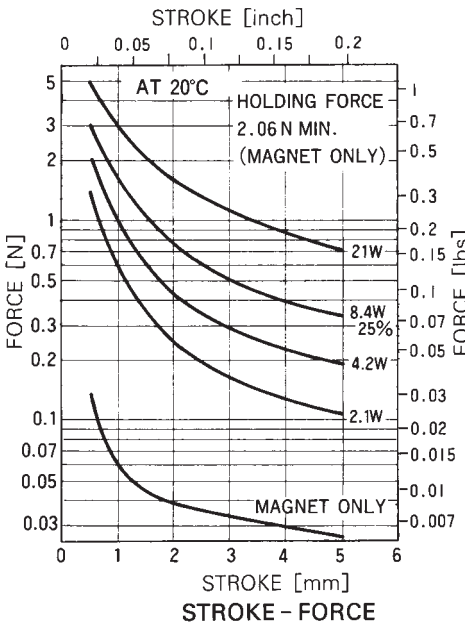
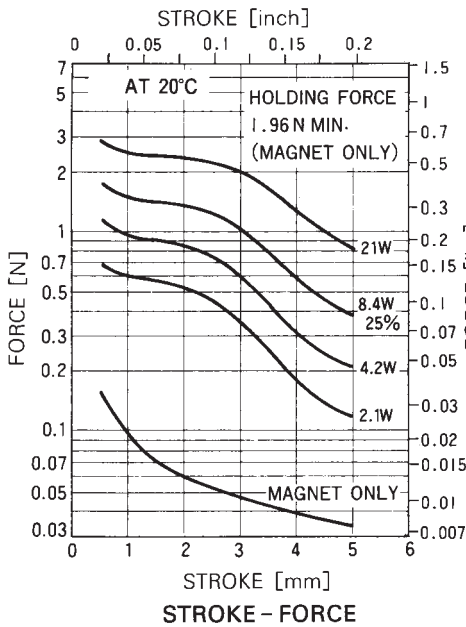
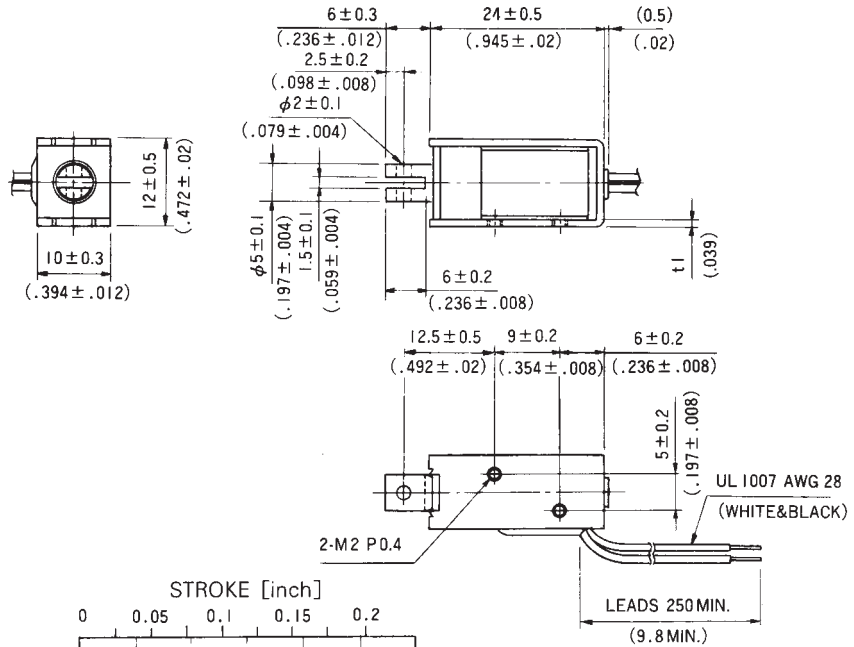


SH1LC0524, SH1LF0524 PERMANENT MAGNET SOLENOID

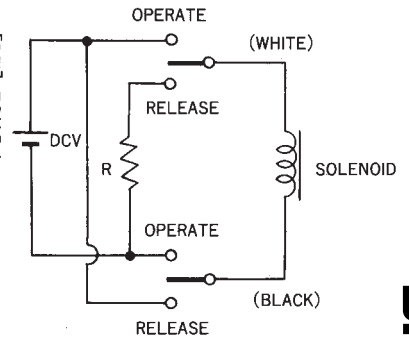
UNIT: $\frac{\text{mm}}{\text{(inch)}}$
SHOWN ENERGIZED



WEIGHT : 14g
PLUNGER : 3.3g



DRIVE CIRCUITS



COIL DATA

without heat sink

| | duty cycle = $\frac{\text{"on" time}}{\text{"on" time} + \text{"off" time}} \times 100\%$ | | 25% or less | release current (reference) |
|------------------------------|---|-----------|-------------|-----------------------------|
| | maximum "on" time in seconds | | 5 | |
| | watts at 20°C | | 8.4 | |
| | ampere-turns at 20°C | | 452 | |
| type no. | resistance $\Omega \pm 10\%$ (at 20°C) | no. turns | volts DC | ampere |
| SH1LC0524-06 SH1LF0524-06 | 4.3 | 340 | 6 | 360mA |
| SH1LC0524-12 SH1LF0524-12 | 17.1 | 630 | 12 | 200mA |
| SH1LC0524-24 SH1LF0524-24 | 68.6 | 1,260 | 24 | 100mA |

Shindengen America, Inc.

1 - 800 - 543 - 6525