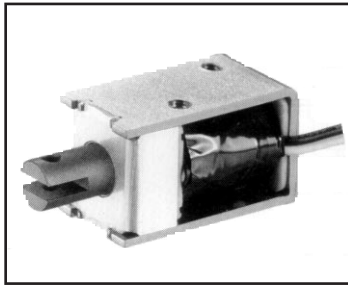


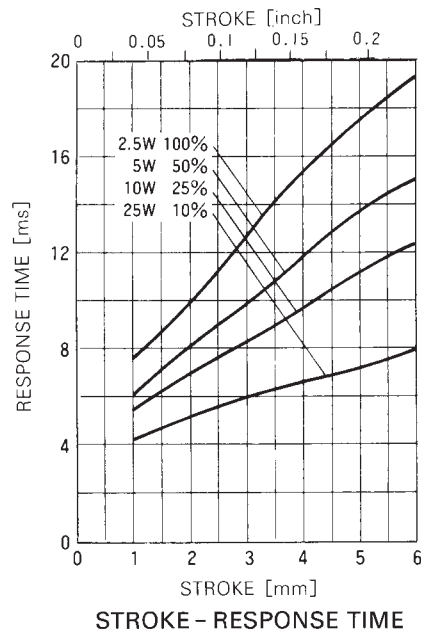
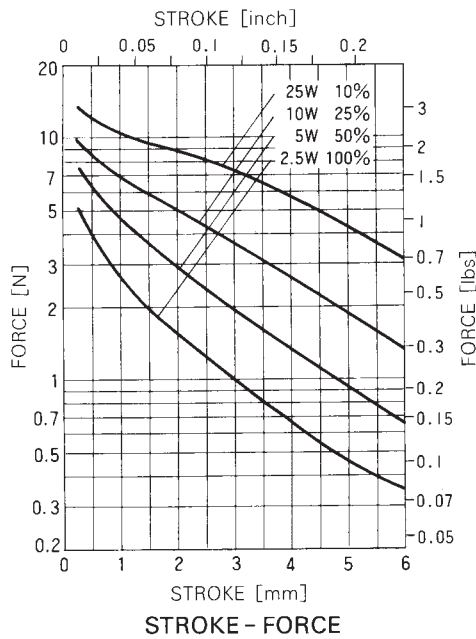
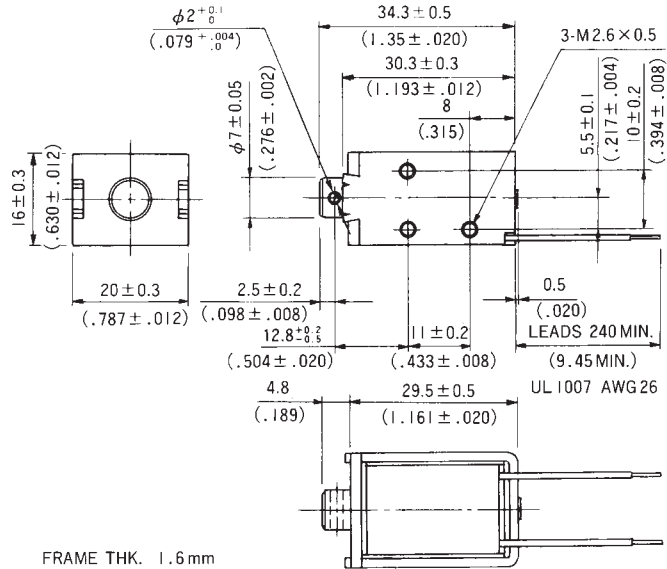
SK0730A OPEN FRAME SOLENOID

UNIT: $\frac{\text{mm}}{\text{(inch)}}$

SHOWN ENERGIZED



WEIGHT : 48g
PLUNGER : 8g



COIL DATA

without heat sink

type no.	duty cycle = $\frac{\text{"on" time}}{\text{"on" time} + \text{"off" time}} \times 100\%$					
	100% continuous					
	50% or less					
	25% or less					
10% or less						
MAX. "on" time in seconds	∞	100	36	7		
watts at 20°C	2.5	5.0	10.0	25.0		
ampere-turns at 20°C	389	550	778	1230		
resistance $\Omega \pm 10\%$ (at 20°C)	no. turns	volts DC				
SK0730A06AA	14	990	6	8.5	12	19
SK0730A12AA	58	1925	12	17	24	38
SK0730A24AA	230	3730	24	34	48	76
SK0730A48AA	922	7300	48	68	96	152

1 - 800 - 543 - 6525