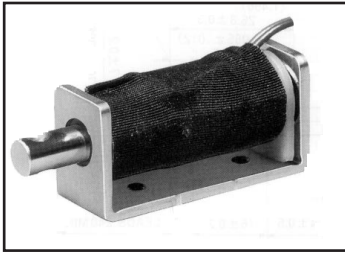


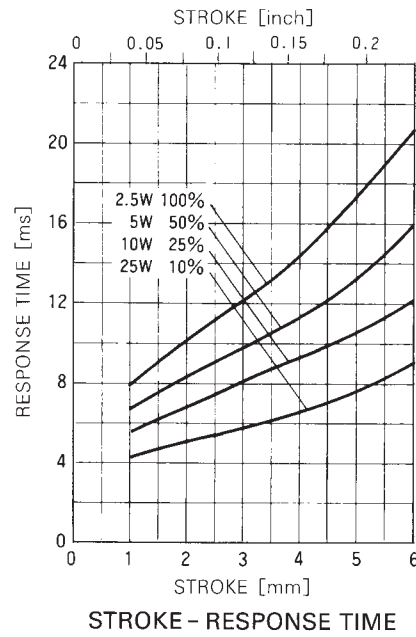
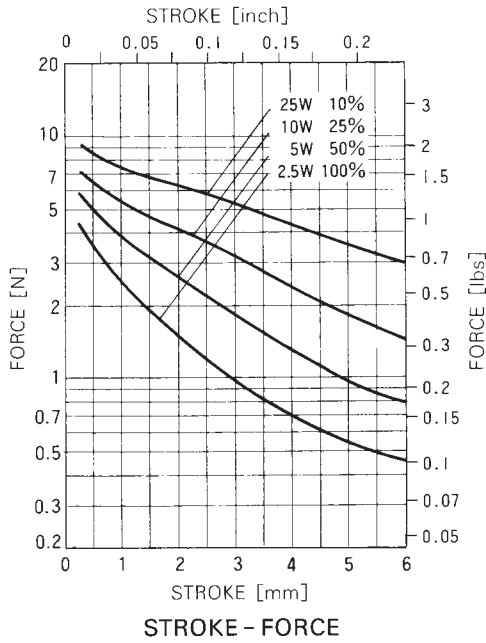
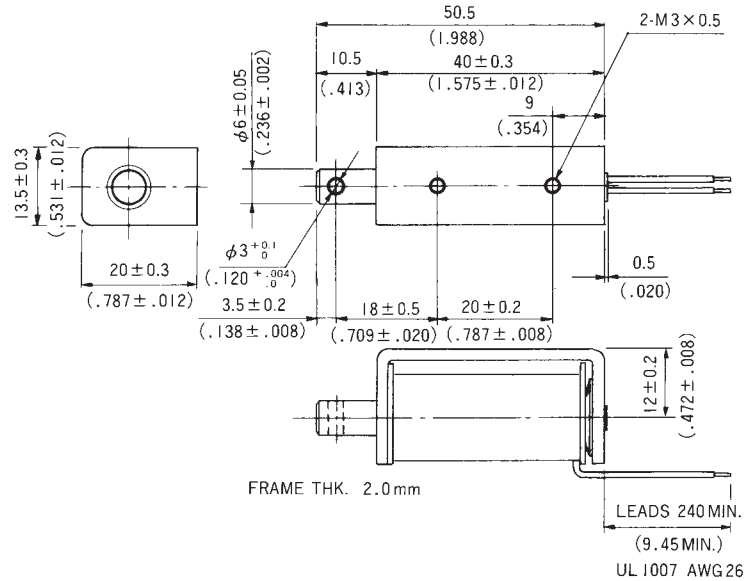
SK0640C OPEN FRAME SOLENOID

UNIT: $\frac{\text{mm}}{\text{(inch)}}$

SHOWN ENERGIZED



WEIGHT : 48g
PLUNGER : 9g



COIL DATA

without heat sink

type no.	duty cycle = $\frac{\text{"on" time}}{\text{"on" time} + \text{"off" time}} \times 100\%$	100% continuous	50% or less	25% or less	10% or less	
	MAX. "on" time in seconds	∞	100	36	7	
	watts at 20°C	2.5	5.0	10.0	25.0	
	ampere-turns at 20°C	504	712	1008	1593	
type no.	resistance $\Omega \pm 10\%$ (at 20°C)	no. turns	volts DC			
SK0640C06AA	14	1185	6	8.5	12	19
SK0640C12AA	58	2480	12	17	24	38
SK0640C24AA	230	4830	24	34	48	76
SK0640C48AA	922	9460	48	68	96	152

1 - 800 - 543 - 6525