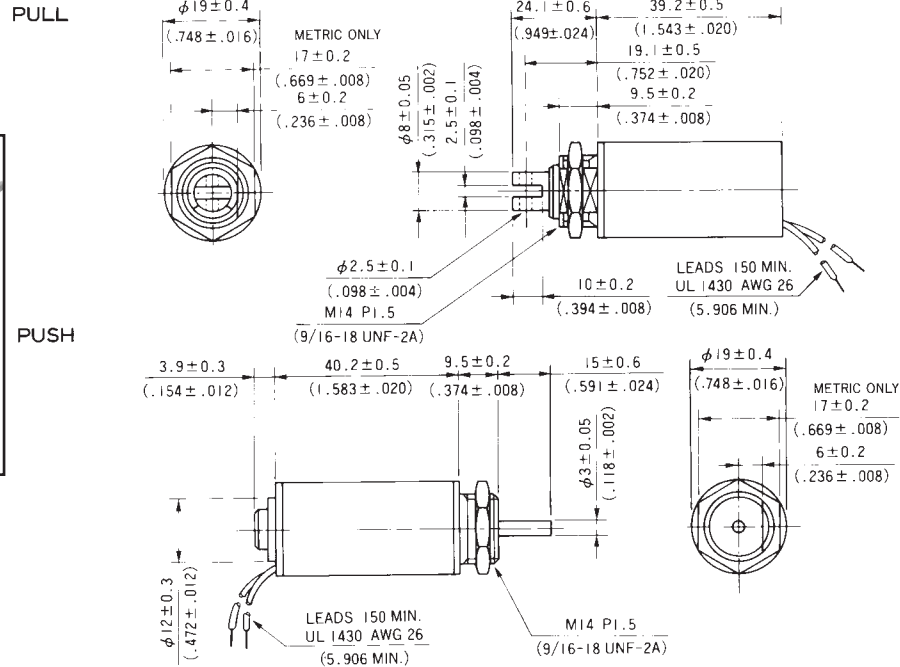
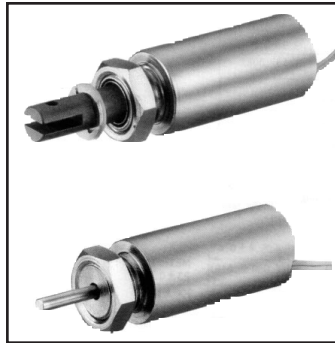


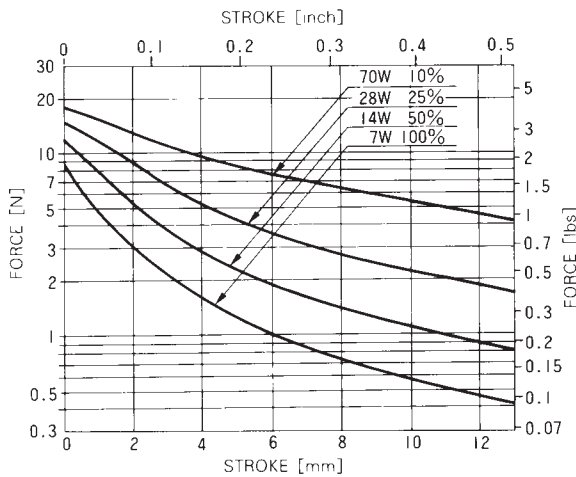
# SIZE190 PULL, 190 PUSH TUBULAR SOLENOID

UNIT:  $\frac{\text{mm}}{\text{(inch)}}$

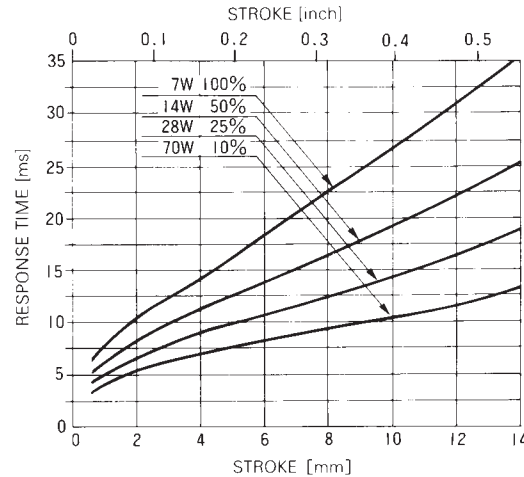
SHOWN ENERGIZED



WEIGHT : 82g  
 PLUNGER  
 PULL : 20g  
 PUSH : 16g



STROKE - FORCE



STROKE - RESPONSE TIME

## COIL DATA

Heat sink : 80×80×3mm aluminum

duty cycle = $\frac{\text{"on" time}}{\text{"on" time} + \text{"off" time}} \times 100\%$			100%	50%	25%	10%
MAX. "on" time in seconds			$\infty$	230	25	6
watts at 20°C			7	14	28	70
ampere-turns at 20°C			760	1075	1520	2403
AWG no.	resistance $\Omega \pm 10\%$ (at 20°C)	no. turns	volts DC			
25	1.65	372	3.4	4.9	6.9	10.9
26	3.10	551	4.4	6.2	8.7	13.8
27	4.33	615	5.4	7.7	10.9	17.2
28	7.78	870	6.9	9.8	13.8	22
29	10.7	960	8.6	12.2	17.2	27
30	18.6	1308	11	15.6	22	35
31	30.9	1722	13.9	19.6	28	44
32	41.6	1890	17	24	34	54
33	69.0	2448	22	31	44	69
34	110	3060	28	39	56	88
35	176	3860	35	50	70	111
36	266	4686	44	62	88	139
37	435	6214	54	77	109	172
38	658	7420	69	97	137	217
39	1135	9792	90	127	180	284
40	1815	12210	115	162	229	362

1 - 800 - 543 - 6525