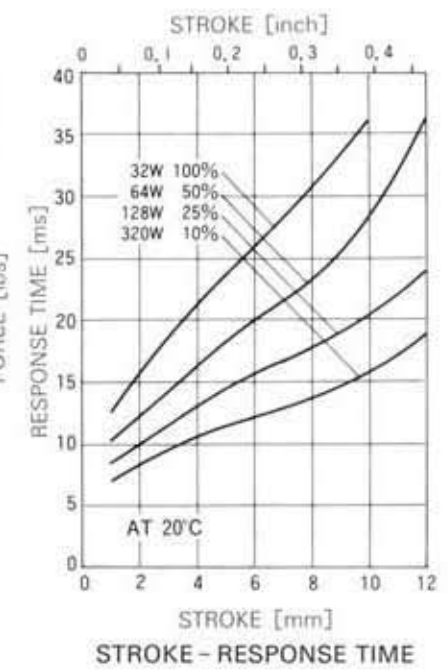
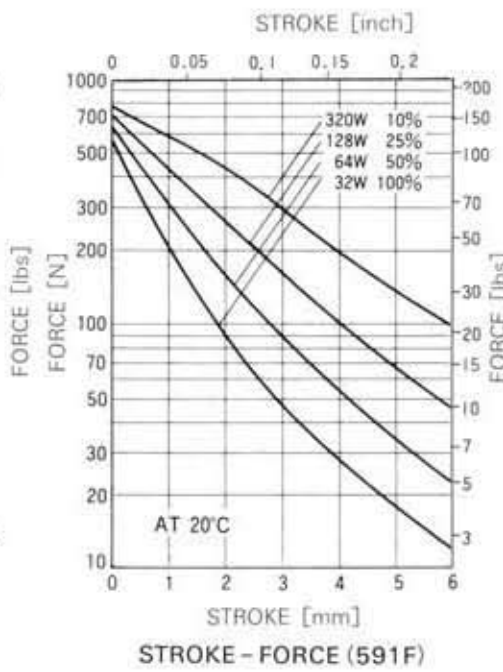
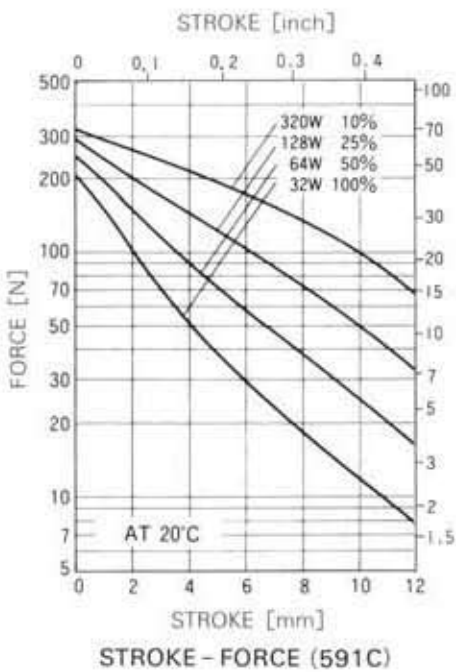
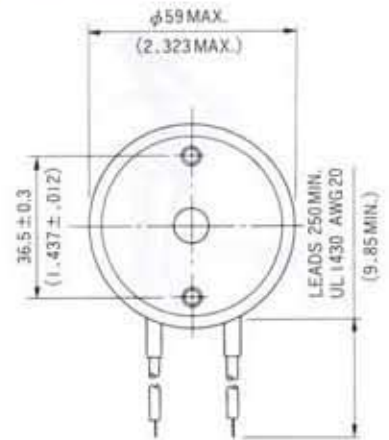
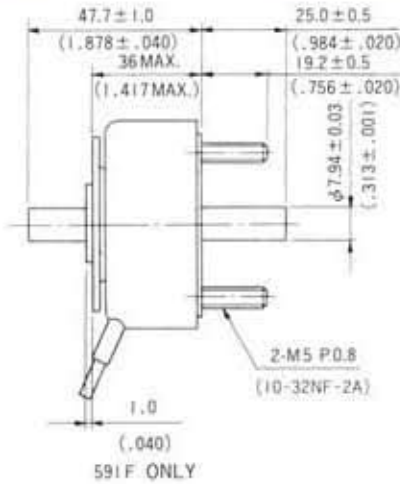


SIZE 591C, 591F PUSH PULL SOLENOID

UNIT : $\frac{\text{mm}}{\text{inch}}$
SHOWN ENERGIZED



WEIGHT : 620g
PLUNGER (C) : 145g
PLUNGER (F) : 140g



COIL DATA

Heat sink : 310×310×3mm aluminum

| duty cycle = $\frac{\text{"on" time}}{\text{"on" time} + \text{"off" time}} \times 100\%$ | | | 100% continuous | 50% or less | 25% or less | 10% or less |
|---|---------------------------------|-----------|--------------------|----------------|----------------|----------------|
| MAX. "on" time in seconds | | | ∞ | 87 | 36 | 13 |
| watts at 20°C | | | 32 | 64 | 128 | 320 |
| ampere-turns at 20°C | | | 1480 | 2080 | 2940 | 4620 |
| AWG no. | resistance Ω ± 10% (at 20°C) | no. turns | volts DC | | | |
| 20 | 1.23 | 295 | 6.2 | 8.7 | 12.3 | 19.3 |
| 21 | 1.75 | 340 | 7.6 | 10.7 | 15.1 | 24 |
| 22 | 2.79 | 446 | 9.3 | 13 | 18.4 | 29 |
| 23 | 4.54 | 567 | 11.9 | 16.7 | 24 | 37 |
| 24 | 6.93 | 690 | 14.9 | 21 | 30 | 46 |
| 25 | 12.5 | 910 | 20.0 | 29 | 40 | 63 |
| 26 | 18.4 | 1120 | 24 | 34 | 48 | 76 |
| 27 | 33.4 | 1500 | 33 | 46 | 65 | 103 |
| 28 | 46.3 | 1750 | 39 | 55 | 78 | 122 |
| 29 | 74.5 | 2232 | 49 | 69 | 98 | 154 |
| 30 | 125.5 | 2940 | 63 | 89 | 126 | 197 |
| 31 | 199 | 3611 | 82 | 115 | 162 | 255 |
| 32 | 302 | 4350 | 103 | 144 | 204 | 321 |
| 33 | 417 | 5010 | 123 | 173 | 245 | 385 |