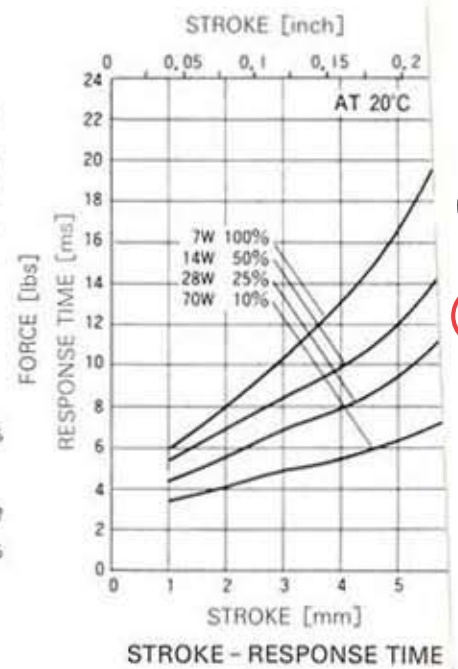
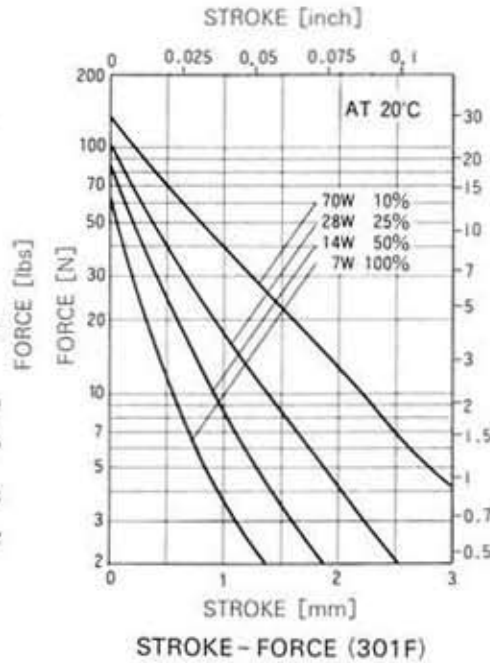
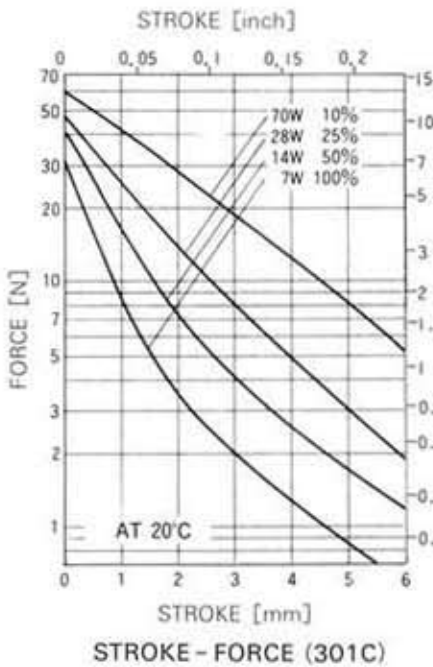
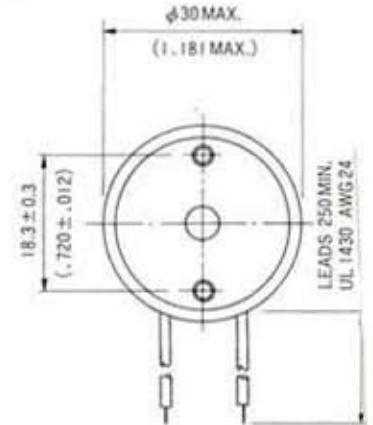
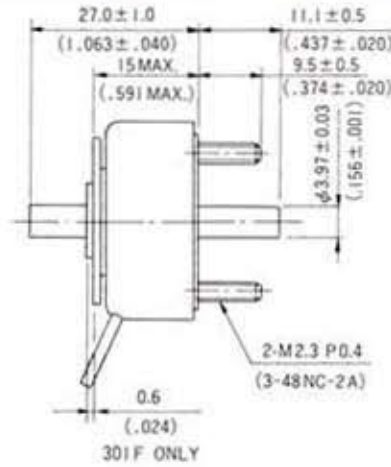


# SIZE301C, 301F PUSH PULL SOLENOID

UNIT :  $\frac{\text{mm}}{\text{(inch)}}$   
SHOWN ENERGIZED



WEIGHT : 56g  
PLUNGER (C) : 16g  
PLUNGER (F) : 14g



## COIL DATA

Heat sink : 90×90×3mm aluminum

duty cycle = $\frac{\text{"on" time}}{\text{"on" time} + \text{"off" time}} \times 100\%$		100% continuous	50% or less	25% or less	10% or less
MAX. "on" time in seconds		∞	100	36	7
watts at 20°C		7	14	28	70
ampere-turns at 20°C		425	602	849	1350
AWG no.	resistance $\Omega \pm 10\%$ (at 20°C)	no. turns	volts DC		
26	1.96	231	3.5	5	7.1
27	3.16	296	4.5	6.3	8.9
28	5.1	378	5.6	8	11
29	6.94	423	7.1	10	14
30	11	530	8.9	13	18
31	16.9	649	11	16	22
32	28.3	858	14	20	28
33	42.8	1036	18	25	35
34	69.6	1312	22	32	45
35	112	1674	28	39	56
36	148	1765	35	50	71
37	221	2090	45	63	89
38	352	2650	56	80	112
39	568	3380	71	100	141
40	882	4200	89	126	178