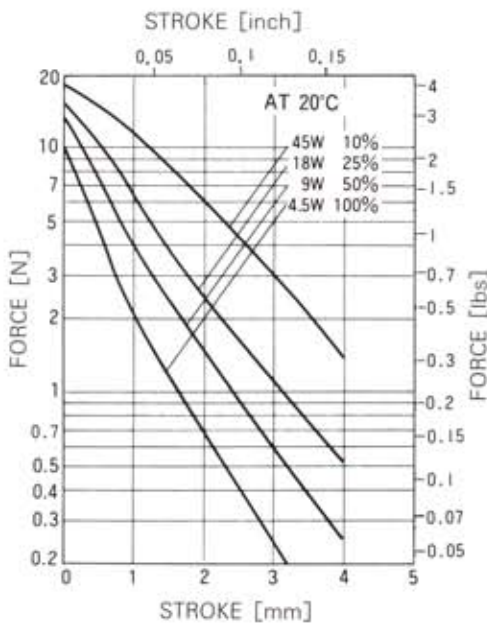
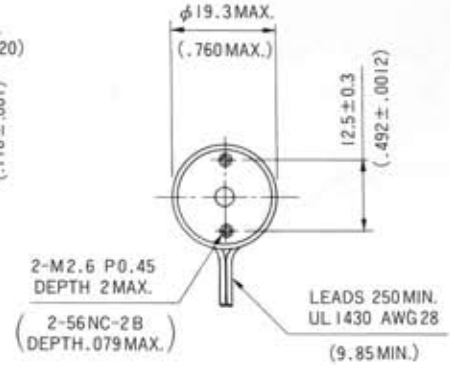
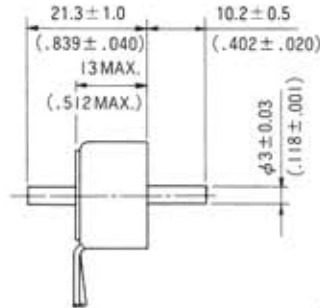


SIZE191C, 191F PUSH PULL SOLENOID

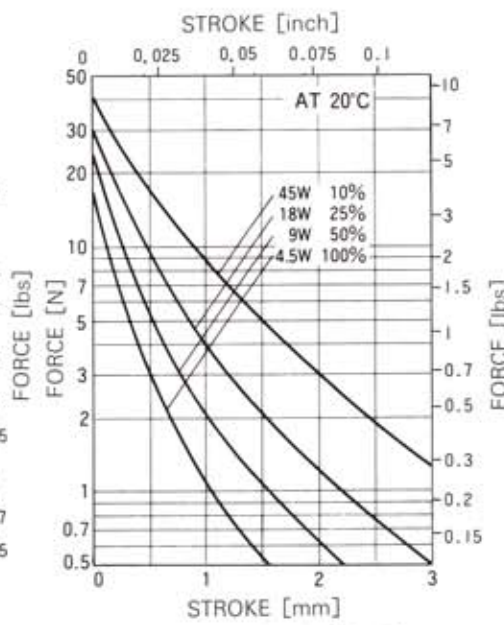
UNIT : $\frac{mm}{(inch)}$
SHOWN ENERGIZED



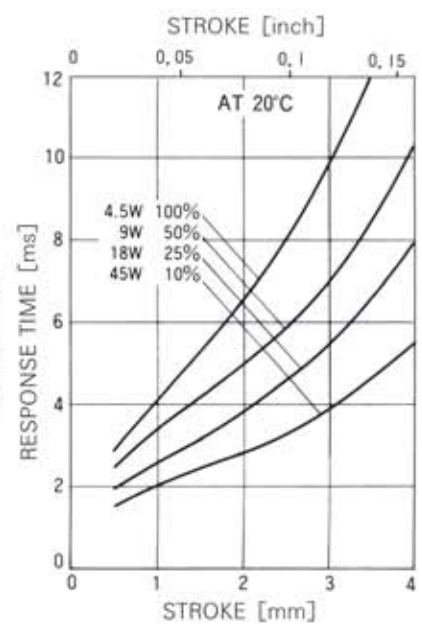
WEIGHT : 22g
PLUNGER (C) : 4g
PLUNGER (F) : 4g



STROKE - FORCE(191C)



STROKE - FORCE(191F)



STROKE - RESPONSE TIME

COIL DATA

Heat sink : 50×50×3mm aluminum

| duty cycle = $\frac{\text{"on" time}}{\text{"on" time} + \text{"off" time}} \times 100\%$ | | | 100% continuous | 50% or less | 25% or less | 10% or less |
|---|--|-----------|-----------------|-------------|-------------|-------------|
| MAX. "on" time in seconds | | | ∞ | 100 | 36 | 7 |
| watts at 20°C | | | 4.5 | 9 | 18 | 45 |
| ampere-turns at 20°C | | | 285 | 403 | 570 | 901 |
| AWG no. | resistance $\Omega \pm 10\%$ (at 20°C) | no. turns | volts DC | | | |
| 30 | 4.02 | 288 | 4.1 | 5.7 | 8 | 12.1 |
| 31 | 5.61 | 324 | 5 | 7.1 | 9.9 | 15.8 |
| 32 | 9.09 | 420 | 6.3 | 8.9 | 12.4 | 19.7 |
| 33 | 14.95 | 544 | 8 | 11.3 | 15.7 | 25 |
| 34 | 24.06 | 684 | 10.2 | 14.4 | 20 | 32 |
| 35 | 37.1 | 840 | 12.8 | 18.1 | 25 | 40 |
| 36 | 58.51 | 1056 | 16.1 | 23 | 32 | 50 |
| 37 | 75.68 | 1109 | 19.8 | 28 | 39 | 62 |
| 38 | 118 | 1370 | 25 | 35 | 49 | 78 |
| 39 | 199 | 1761 | 33 | 46 | 64 | 103 |
| 40 | 328 | 2283 | 42 | 59 | 82 | 131 |