

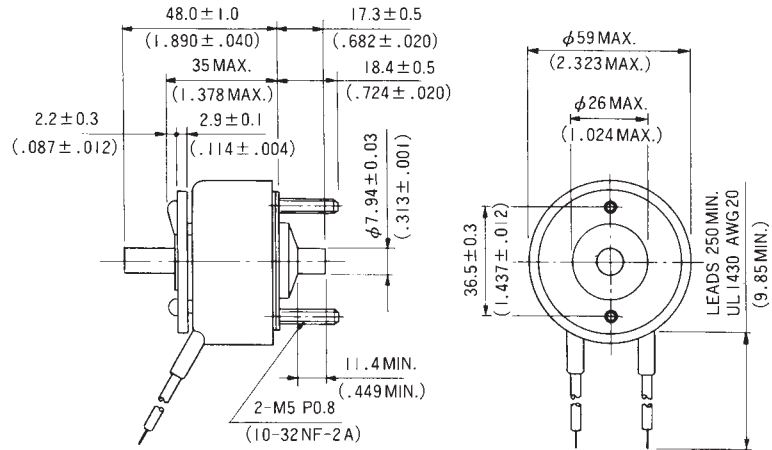
SIZE590 ROTARY SOLENOID

UNIT: $\frac{\text{mm}}{\text{(inch)}}$

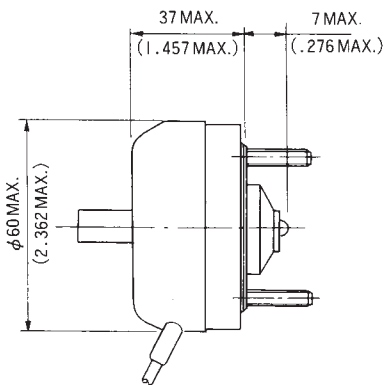
SHOWN DE-ENERGIZED, RIGHT HAND ROTATION



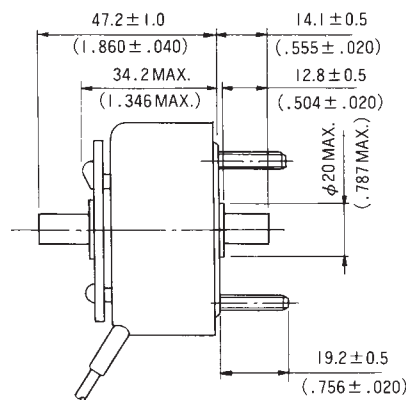
WEIGHT (ABD&R) : 506g



WITH A,B&R

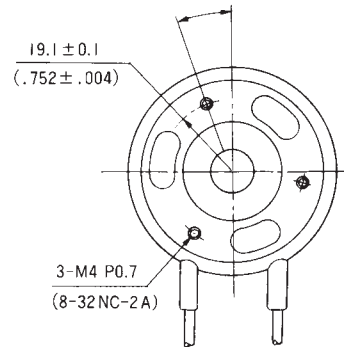


WITH A,D&R



WITH A&B

$\frac{1}{2}$ ROTATION ANGLE $\pm 3^\circ$ TO LEFT OF CENTER FOR R.H. ROTATION, RIGHT OF CENTER FOR L.H. ROTATION.



WITH T

COIL DATA

Heat sink : 310×310×3mm aluminum

Return spring torque : 0.045~0.065 N·m

duty cycle = $\frac{\text{"on" time}}{\text{"on" time} + \text{"off" time}} \times 100\%$			100% continuous	75% or less	50% or less	25% or less	10% or less
MAX. "on" time in seconds			∞	115	87	36	13
watts at 20°C			29	38.5	58	116	290
ampere-turns at 20°C			1240	1440	1760	2490	3920
gross starting torque at 20°C (N·m)			25°	0.53	0.69	1.02	3.2
			35°	0.39	0.53	0.75	2.14
			45°	0.195	0.276	0.4	1.26
			67.5°	0.184	0.24	0.355	1.0
			95°	0.103	0.138	0.195	0.6
AWG no.	resistance $\Omega \pm 10\%$ (at 20°C)	no. turns	volts DC				
22	2.23	336	8.3	9.6	12	16	26
23	3.6	432	10	12	15	21	33
24	5.24	500	13	15	18	26	41
25	9.51	708	16	19	23	33	52
26	14.4	858	21	24	29	41	66
27	23.7	1110	26	30	37	52	83
28	38.2	1411	33	38	47	66	104
29	54.7	1638	41	48	59	83	131
30	93.7	2184	52	61	74	104	165
31	143	2645	66	76	93	131	207
32	223	3328	83	96	117	165	261
33	338	4004	104	121	147	208	329
34	550	5088	131	152	185	262	—
35	790	5860	165	192	233	330	—
36	1233	7260	208	242	294	—	—

1 - 800 - 543 - 6525