

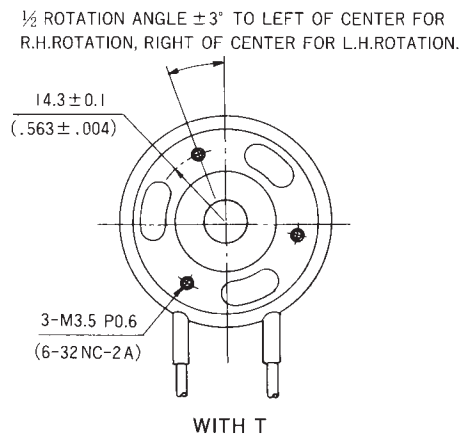
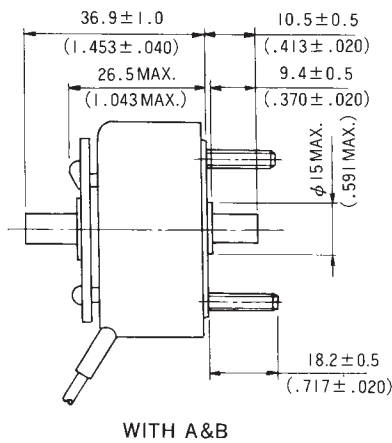
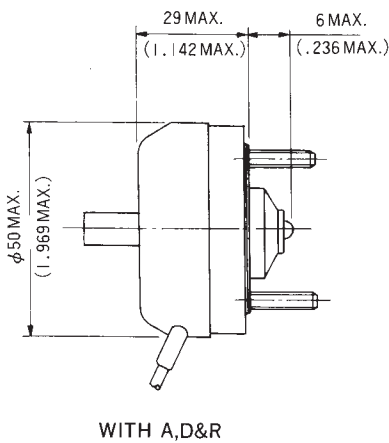
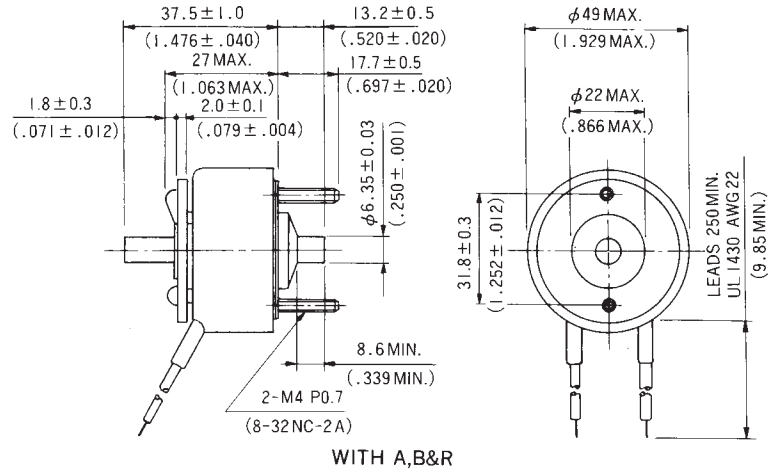
SIZE490 ROTARY SOLENOID

UNIT: $\frac{\text{mm}}{\text{(inch)}}$

SHOWN DE-ENERGIZED, RIGHT HAND ROTATION



WEIGHT (ABD&R) : 250g



1/2 ROTATION ANGLE ±3° TO LEFT OF CENTER FOR R.H.ROTATION, RIGHT OF CENTER FOR L.H.ROTATION.

COIL DATA

Heat sink : 190×190×3mm aluminum

Return spring torque : 0.026~0.035 N·m

duty cycle = $\frac{\text{"on" time}}{\text{"on" time} + \text{"off" time}} \times 100\%$			100% continuous	75% or less	50% or less	25% or less	10% or less
MAX. "on" time in seconds			∞	110	100	36	10
watts at 20°C			21	28	42	84	210
ampere-turns at 20°C			842	966	1190	1685	2660
gross starting torque at 20°C (N·m)			25°	0.22	0.3	0.47	0.84
			35°	0.104	0.15	0.24	0.47
			45°	0.081	0.127	0.195	0.39
			67.5°	0.058	0.081	0.127	0.23
			95°	0.022	0.035	0.046	0.098
AWG no.	resistance $\Omega \pm 10\%$ (at 20°C)	no. turns	volts DC				
24	3.2	360	7.6	8.7	11	15	24
25	4.91	440	9.5	11	13	19	30
26	7.72	550	12	14	17	24	38
27	11.1	636	15	17	21	30	48
28	18.8	840	19	22	27	38	60
29	30.5	1088	24	28	34	48	76
30	44.9	1275	30	34	43	60	95
31	70.9	1596	38	43	54	76	120
32	109	1974	48	56	67	95	150
33	175	2496	60	69	85	120	190
34	270	3042	76	87	107	151	239
35	414	3600	95	109	134	190	301
36	610	4200	122	140	173	245	386
37	940	5200	151	174	213	301	—
38	1560	6820	190	219	268	379	—

1 - 800 - 543 - 6525